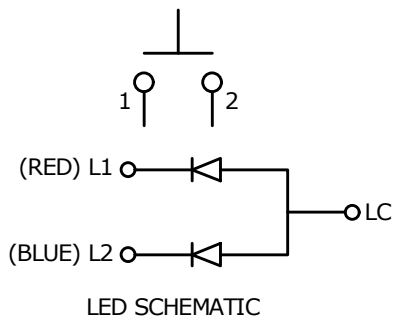


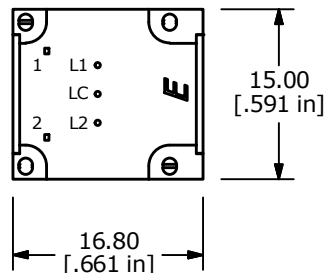
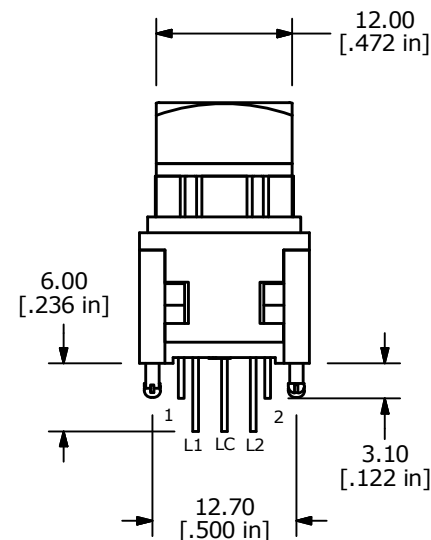
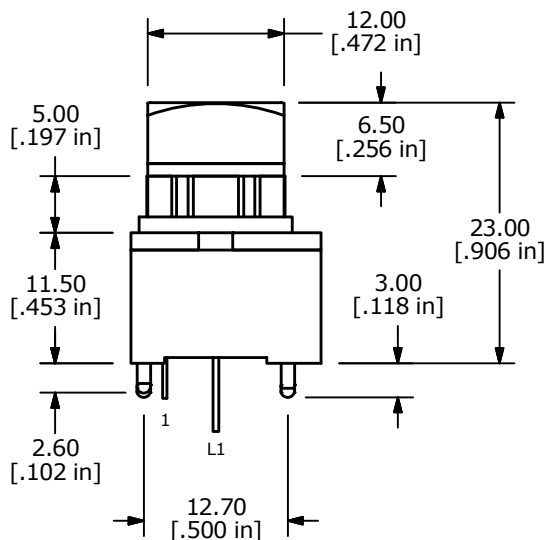
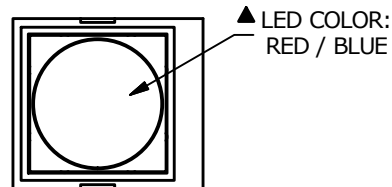
PCB LAYOUT



LED SCHEMATIC

NOTES:

1. ALL DIMENSIONS IN MM [INCH]
2. GENERAL TOLERANCE: X.X = ± 0.4
X.XX = ± 0.25
3. TERM. NOS. FOR REFERENCE ONLY.
4. RATING: 12VDC, 100mA
5. CONTACT MATERIAL: GOLD PLATED
6. CONTACT RESISTANCE: 200 mΩ MAX.
7. INSULATION RESISTANCE: 500VDC, 100 MΩ MIN.
8. OPERATING FORCE: 200 ± 100gf
9. MECHANICAL LIFE: 2,000,000 CYCLES
10. OPERATING TEMP: -40°C TO +85°C
- ▲ 11. LED COLORS: RED / BLUE
12. TRAVEL: 4.00mm±0.20
13. ▲ DENOTES CRITICAL PARAMETER.
- ▲ 14. SWITCH HAS NON TACTILE FEEDBACK WHEN ACTUATED



LED SPECS	UNITS	RED	BLUE
FORWARD CURRENT	mA	20	20
FORWARD VOLTAGE @20mA	V	1.6-2.5	2.8-4.0
LUMINOUS INTENSITY @20mA	MCD	70-420	40-120



TITLE LP11EE1NASRB

A	23539	NEW RELEASE	8/24/18	MJR
REV	PCR NO	DESCRIPTION	DATE	BY

SCALE	DATE	DR	DWG	REV
3:2	8/24/2018	MJR	B232003	A

THE INFORMATION CONTAINED IN THIS DOCUMENT IS PROPRIETARY TO E-SWITCH AND IS NOT TO BE COPIED OR TRANSFERRED